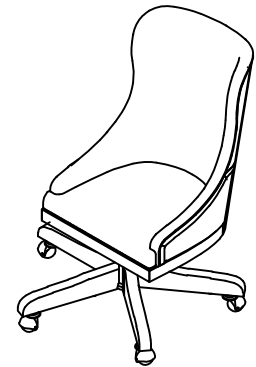


### Warning :

- Be sure to check all packing material carefully for small parts, which may have come loose inside the carton during shipment.
- To prevent possible scratches and damage, this furniture **MUST BE ASSEMBLED BY TWO PEOPLE** on a soft surface such as a blanket or carpet.

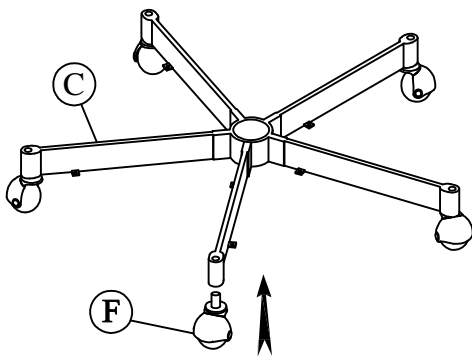


32738  
Upholstery Desk Chair

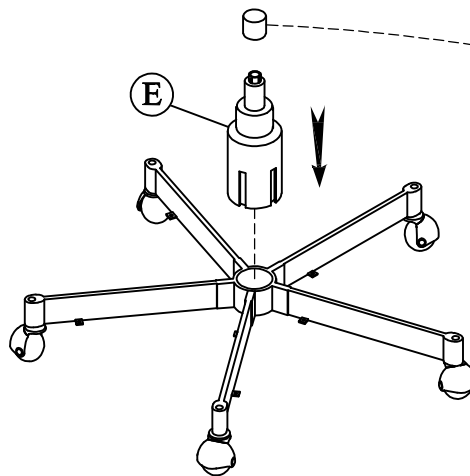
### Components and Hardware List

<p>Chair Seat &amp; Back 1 pc.</p>	<p>Chair Control 1 pc.</p>	<p>Metal Base Frame 1 pc.</p>	<p>Wood Base Cap 5 pcs.</p>	<p>Pneumatic Cylinder &amp; Cover 1 pc.</p>	
<p>Caster 5 pcs.</p>	<p>Allen Head Bolt Ø5/16" x 18 x 1-1/8"</p>	<p>Spring Washer Ø5/16" x Ø14</p>	<p>Flat Washer Ø5/16" x Ø18</p>	<p>Allen Key 4mm</p>	<p>Screw Ø1/8" x 5/8"</p>
					<p>Tool Required (Not provided) Phillips Screwdriver</p>

#### Step 1

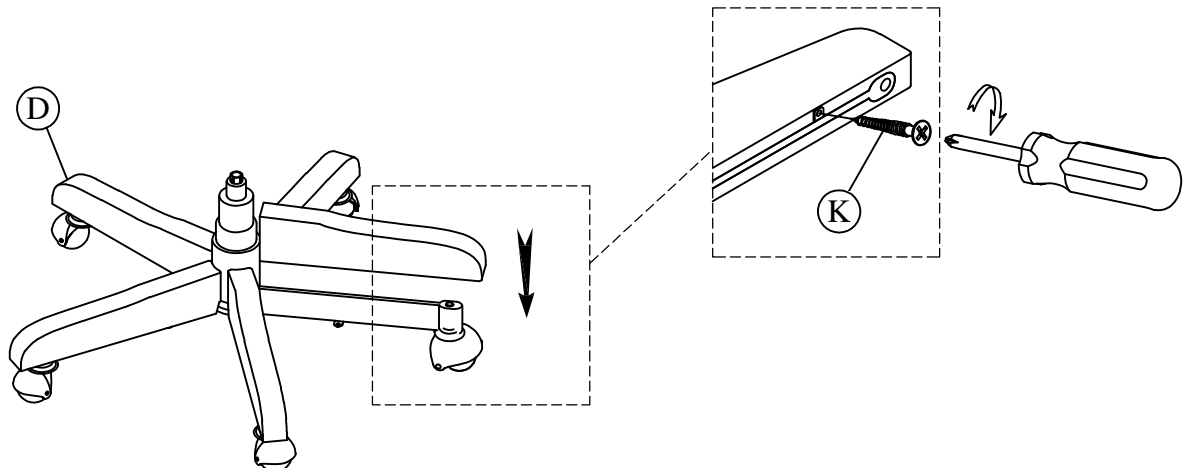


#### Step 2

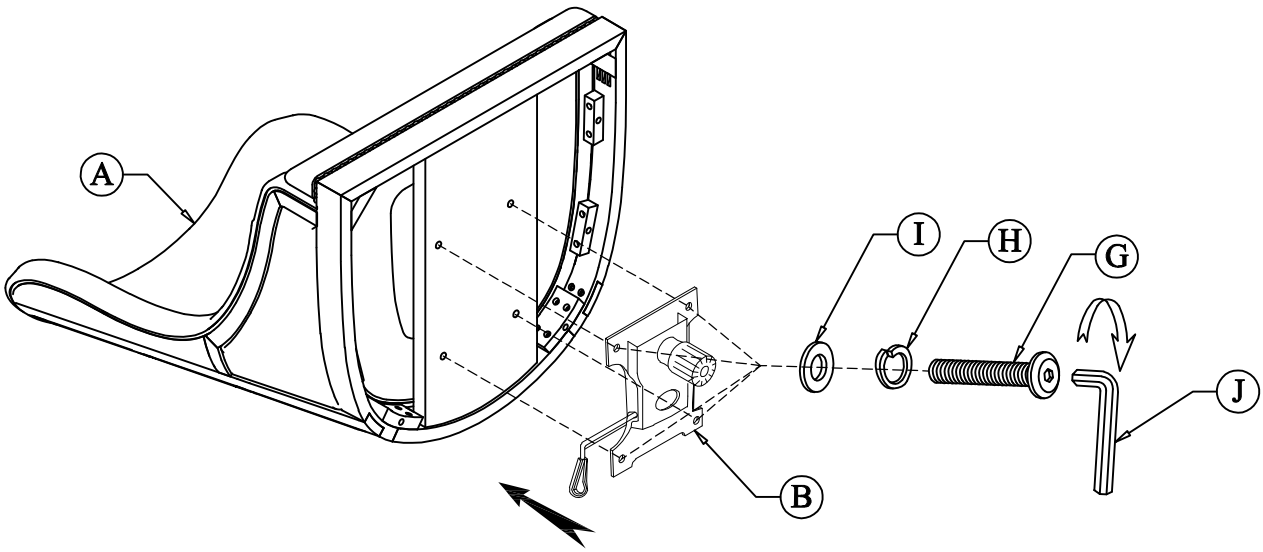


If present, remove the plastic cover from the top end of the cylinder before assembling to seat.

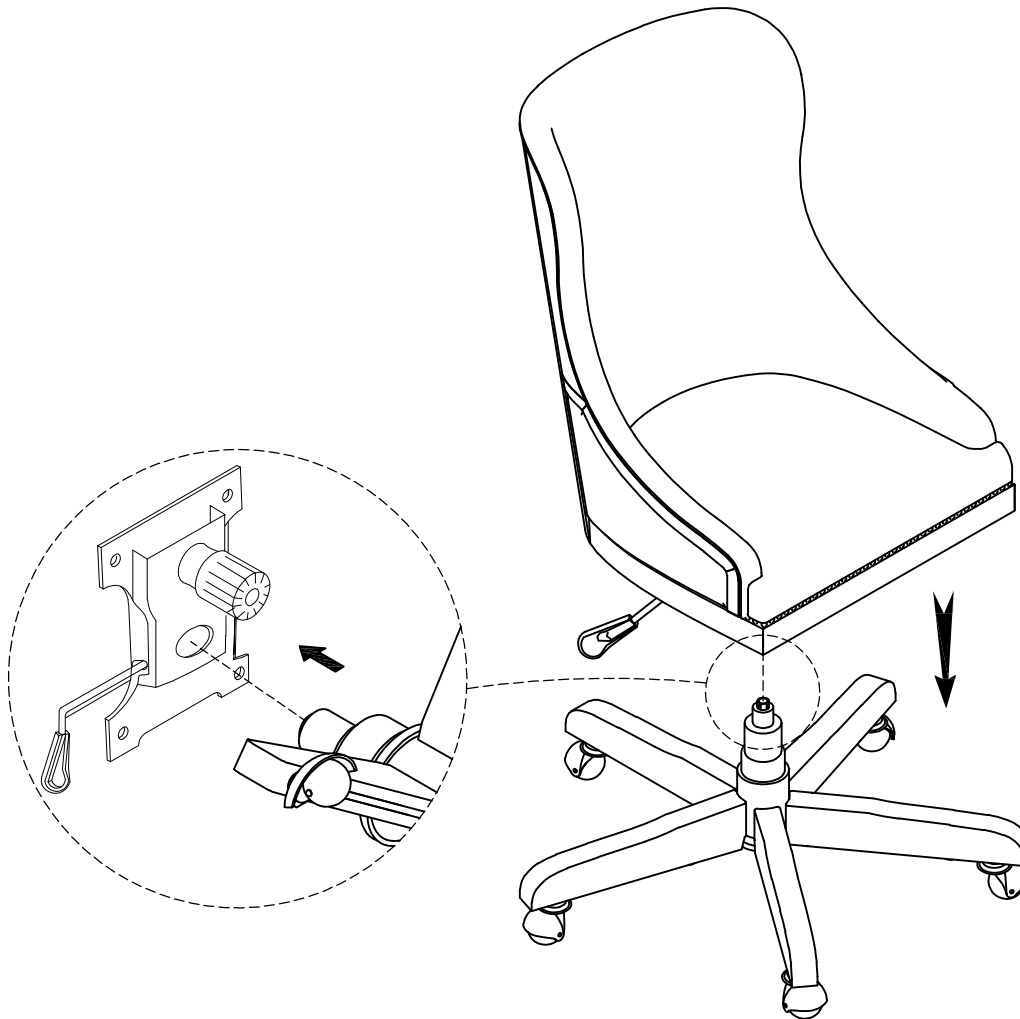
#### Step 3



Step 4



Step 5



Note: To prevent possible damage to some types of flooring, never roll casters on unprotected hardwood or vinyl flooring. The lift mechanism is in a locked position for shipping. To unlock, pull straight out on the handle, and then the lift cylinder can be activated by lifting the handle.